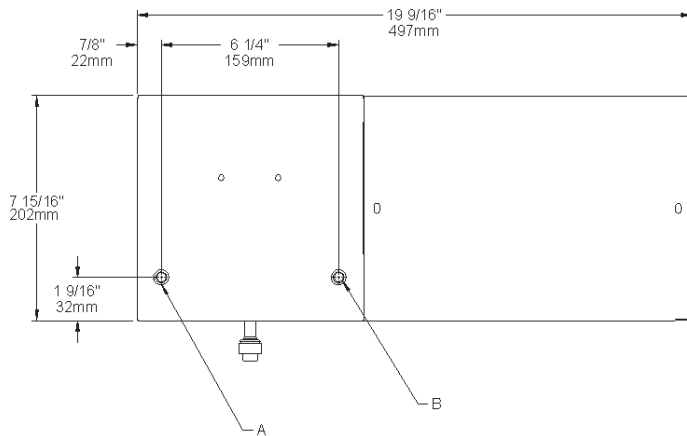


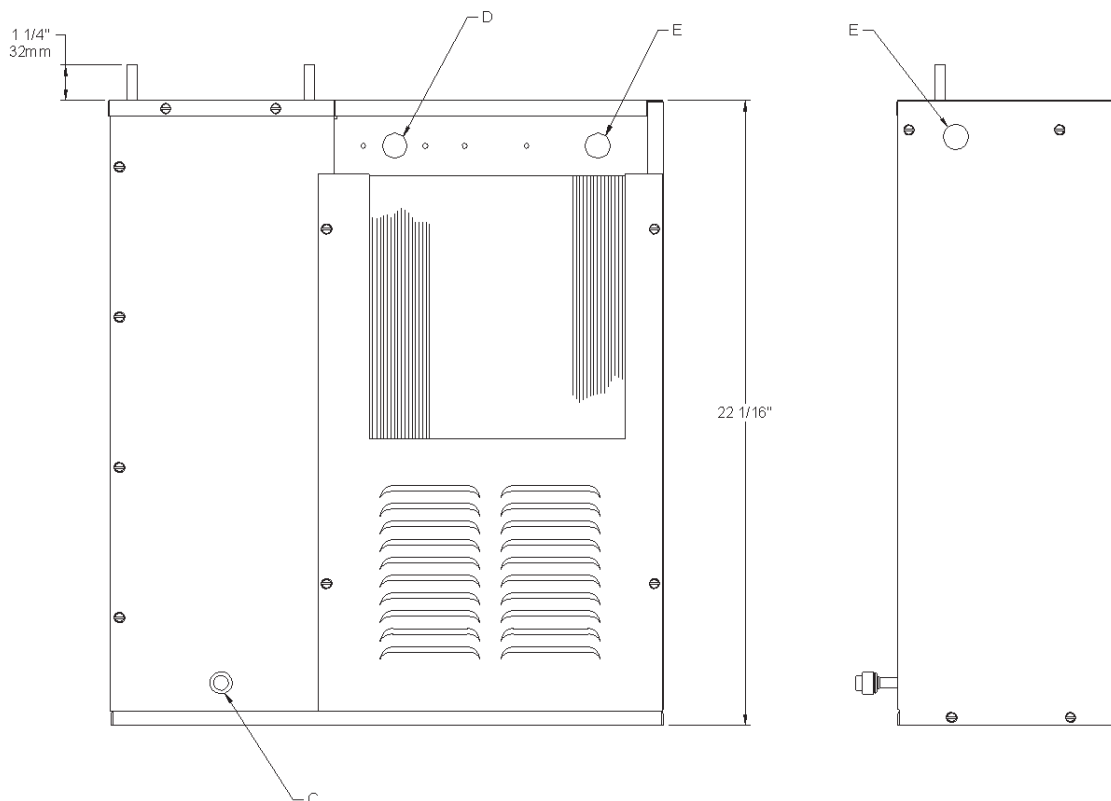
Installation Instructions

Refrigeration Packages



NOTE: It is important to insure proper ventilation. Allow a minimum clearance of 6 inches (152 mm) in front and 3 inches (76mm) in the rear of the unit. If unit is to be installed in an enclosure, allow the following clearances around unit 1 inch (25mm) each side, 3 inches (76mm) in the rear, 3 inches (76mm) inches above wall.

This chiller has been designed for use with potable water and includes an o-ring seal on the drain plug. This fitting should be replaced if the unit is to be used with more aggressive fluids.



LEGEND:

- A = 3/8" O.D. TUBE WATER OUT
- B = 3/8" O.D. TUBE WATER INLET
- C = 3/8" O.D. TUBE TANK DRAIN
- D = TEMPERATURE ADJUSTMENT
- E = ELECTRICAL

ITEMIZED PARTS LIST		
ITEM NO.	10 GPH PART NO.	DESCRIPTION
1	27666C	Cover - Terminal Box
2	31513C	Control - Cold
3	31490C	Motor - Fan
4	30664C	Fan - Blade
5	20282C	Fan - Bracket
6	70018C	Fan - Nut
7	70009C	Screw - Motor Mounting
8	66305C	Condenser
9	50189C	Shroud
10	66203C	Drier
11*	35774C	Compr. Serv Pak Embraco
	35818C	Compr. Serv Pak Tecumseh
12	36222C	Overload (Embraco)
	35795C	Overload (Tecumseh)
	30180C	Overload Spring (Tecumseh)
13	36221C	Relay (Embraco)
	35806C	Relay (Tecumseh)
14	31797C	Cover - Relay (Embraco)
	30181C	Cover - Term (Tecumseh)
	30182C	Compr. Bale Strap (Tecumseh)
15	19037000	Clip
16	100806740570	Grommet
17	66311C	Evaporator - Assy
18	27665C	Cover - Insulation Box
19	70772C	Drain Plug
20	28399C	Base Assy
21	27663C	Panel - Insul Box (Rear)
22	28400C	Panel - End
23	27664C	Box - Insulation (Front)
24	27667C	Terminal Box Assy
25	35882C	Control-Freeze Protect
26	27669C	Grille - Front
NS	27668C	Grille - Rear (Not Shown)

***INCLUDES RELAY & OVERLOAD. IF UNDER WARRANTY, REPLACE WITH SAME COMPRESSOR USED IN ORIGINAL ASSEMBLY.**

NOTE: All correspondence pertaining to any of the above water cooler or orders for repair MUST include model number and serial number of cooler, name and part number of replacement part.

NOTE: For use with photo processing applications, adjust thermostat to warmer settings.

